



Product Datasheet

Version 1.4

Smart PV Monitor & Gateway FR-PVMS-MDEB



Scan code to learn more

Fonrich (Shanghai) New Energy Technology Co., Ltd.

Add: 1st Floor, Building 5, No.999 Jiangyue Road, Minhang District, Shanghai

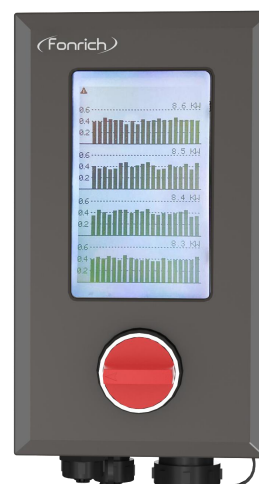
Web: www.fonrich.com

Tel: +86 21 61679671

Email: sales@fonrich.com

Key Features

- RS485 connects 8 PVRSS head modules
- Local display max 4096 PV modules
- WIFI and RJ45 Ethernet for cloud connecting
- Bluetooth BLE for local setting with mobile APP



Specifications

Item	Specification	Unit	Comment
Electrical Data			
Range of power supply voltage	100~260	Vac	
Max power consumption	15.0	W	
Aux power output voltage	24	Vdc	
Max aux power output	10.0	W	
Environmental Data			
Operating ambient temperature range	-30 ~ 70	°C	
Relative humidity range	0~90	%	
Ingress protection	IP42		
Compliance			
Safety compliance	CE LVD 2014/35/EU		
Cloud Connection			
IoT protocol	MQTT 3.1		
Cloud	Fonrich SafeSalor		customize
Compliance			
EMC compliance	EN IEC 61000-6-1:2019 EN IEC 61000-6-3:2021 EN IEC 61000-6-8:2020		

App Software Supported

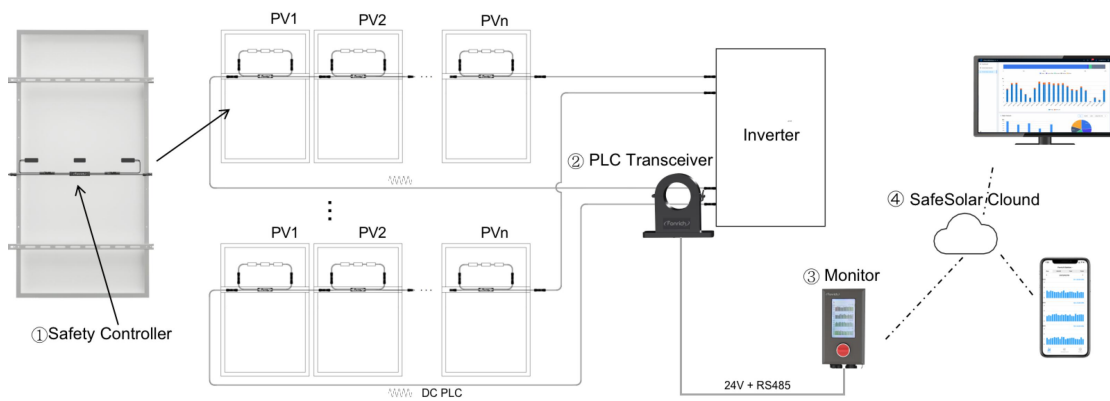


SafeSolar App

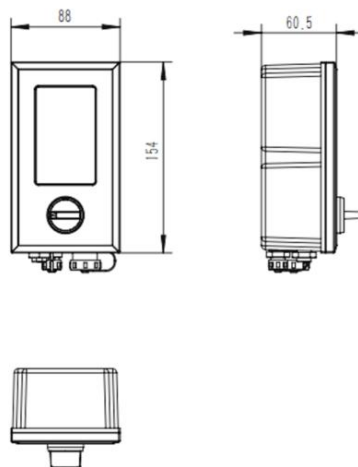


SafeSolar Web

Typical Application Wiring Diagram



Mechanical Drawing (mm)



Revision Log

Version	Revision	Date
1.0	First edition	2021.5.31
1.1	Increase reverse current	2021.7.12
1.2	Separate datasheet of system to dedicated ones	2022.4.22
1.3	Add EMC standard	2022.6.13
1.4	Modify the product name to Smart PV ...	2022.7.21

Contact us

Fonrich (Shanghai) New Energy Technology Co., Ltd.

Add: 1st Floor, Building 5, No.999 Jianguyue Road, Minhang District, Shanghai

Tel: +86 21 61679671

Email: sales@fonrich.com

Web: www.fonrich.com